



Faro Wall Mounted Ethanol Fireplace

User's Manual

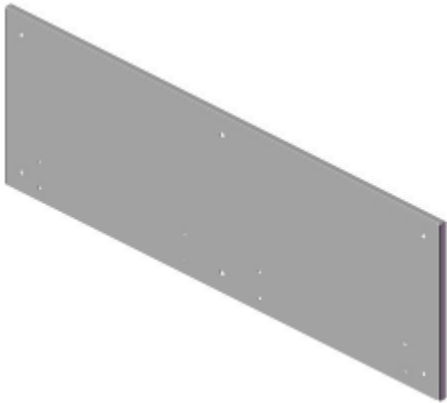
Model: GF101301



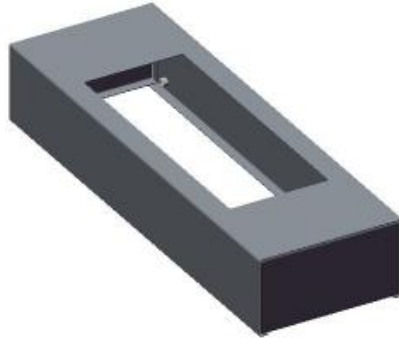
Included in delivery (Parts List):

A. Fireplace back plate	1pc
B. Fireplace base	2pc
C. Tempered Glass	1pc
D. 1.5L double-layer Burner	2pc
E. Mounting bar unit	1pc
F. Control tool	1pc
G. Screws(5*30mm)	4pcs
H. Wall plugs (φ8*40mm)	4pcs
I. Screw (M6*10)	8pcs
J. Screw cap	6pcs
K. Stainless steel stud	6pcs
L. Instruction manual and safety instructions.	

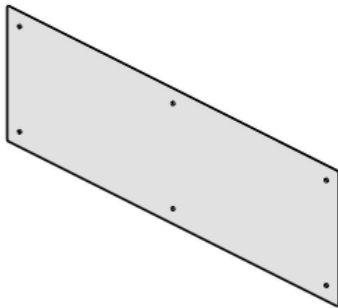
A.



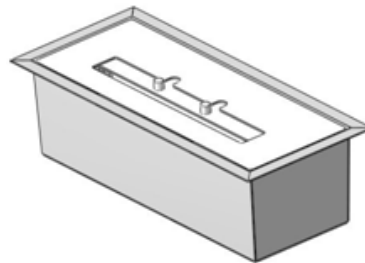
B.



C.

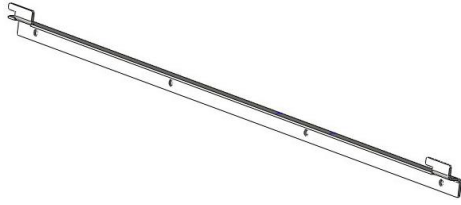


D.

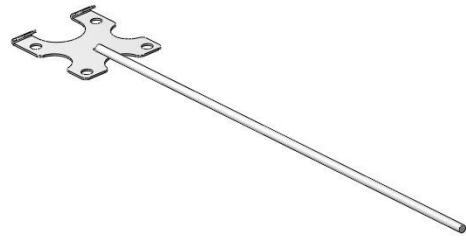


E.

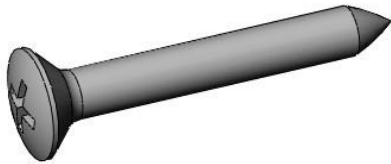
F.



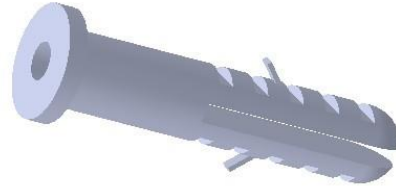
G.



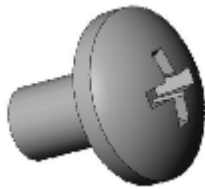
H.



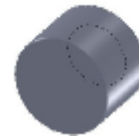
I.



J.



K.

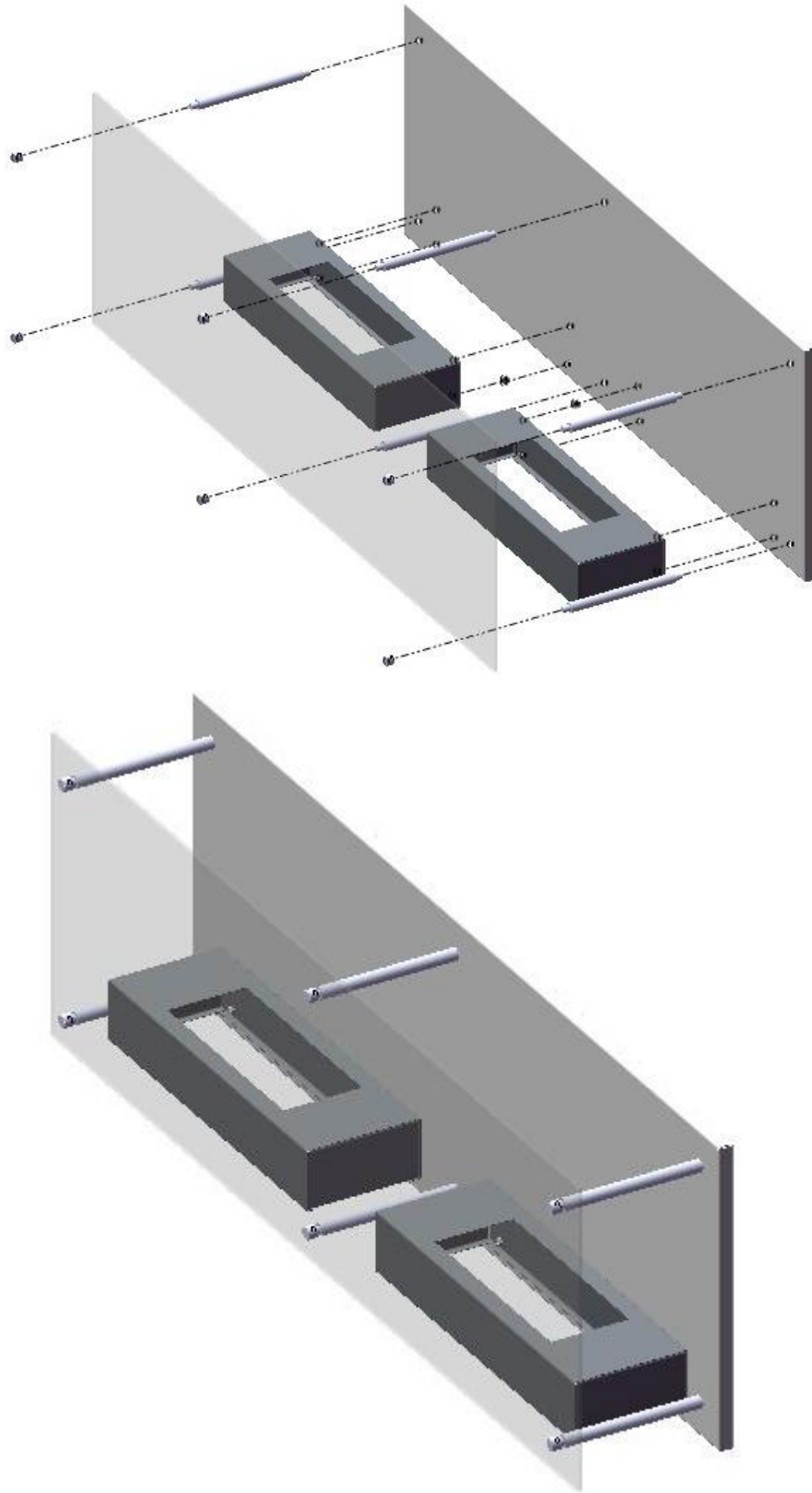


Assembly Instructions:

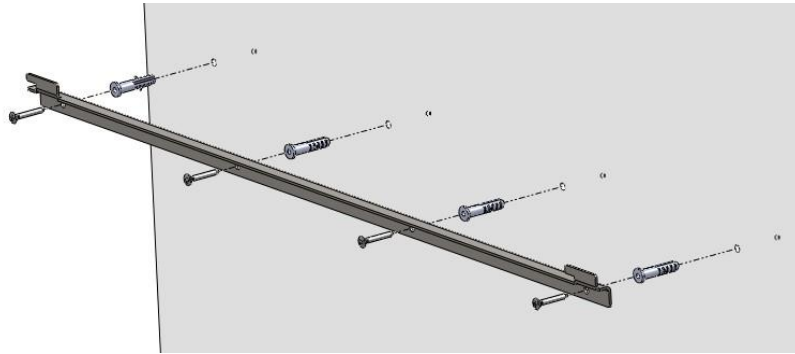
Unpack the fireplace and accessories. Check the content for completeness and any damages incurred in transit. Keep children away from the packing.

The fireplace must only be installed on a solid wall of non-flammable material

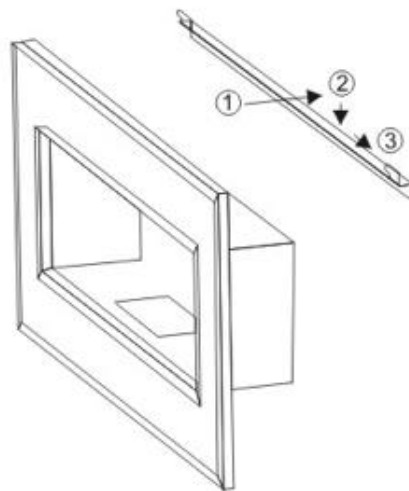
1. Assemble the fireplace base and glass onto the back plate with solid studs,



2. Mount the mounting bar unit to the wall using screws, and wall plugs.



3. Attach the fireplace body onto the mounting bar unit. Follow the arrows:

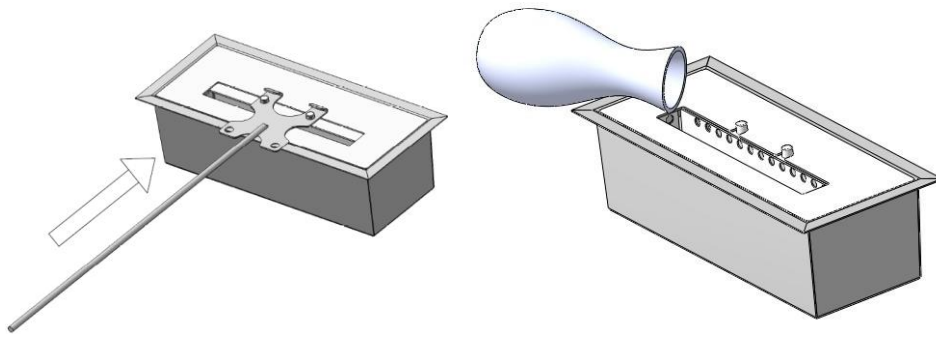


4. Place the burner into the burning chamber of the fireplace body.

WARNING: Risk of fire, Minimum 1.8 cm air space clearance to insulation and building materials (the back wall) must be maintained.

OPERATION INSTRUCTIONS

Step 1: Open the cover of the burner reservoir completely by using the control tool. Fill the burner with the ethanol, pay attention to the “Max” line.



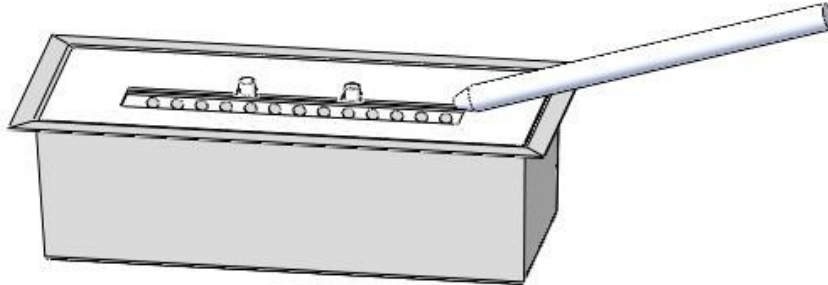
CAUTION: Spilled ethanol must be removed with an absorbent tissue and cleaned with water to prevent ignition outside the burner reservoir.

Spilled ethanol may lead to matt stains on parquet flooring.

Fuel must be kept in safe distance (min.1m/40 inch) to the fireplace.

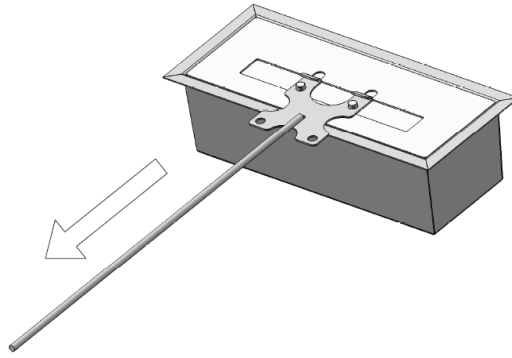
Do not place fuel in front of the fireplace.

Step 2: Light the ethanol with stick-lighter. Keep a safe distance to the burner.



CAUTION: Fuel will burn low at first. Please allow 15 minutes to reach the optimum temperature and flame height. Opening or closing the sliding cover on the burner with the puller can adjust the flame.

Extinguish :



- **CAUTION:** Never extinguish the flame with water!
- Let the fuel burn out completely if possible. This prevents ethanol left in the burner and deflagration when reigniting.
- If you wish to extinguish the flame before the fuel has completely burned out. Please use the controlling tool to fully close the slide cover of the burner and wait until the flame is extinguished. Wait approximately 20 minutes until the burner has reached room temperature. Only then dispose of the remaining fuel.
- In case the flame is not extinguished immediately. Please close the cover and wait approximate 10-15 minutes to allow the flame to cool down. Repeat the above instructions until the flame is fully extinguished.
- It is urgently recommended that you keep a Class B fire extinguisher at hand close to the device in case of fire.

Refill:



- **CAUTION:** Never pour fuel into the burning flame.

- **WARNING:** Allow the burner to cool down for at least 15 minutes before refilling. Never refill the burner when the fireplace is operating or still hot.

SAFETY INSTRUCTION

- When burning Moda Flame Premium Ethanol Fuel, water-vapor and carbon dioxide are produced.
- Never leave an open fire unattended at any time!
- In a house of typical construction, that is, one that is not of unusually tight construction due to heavy insulation and tight seals against air infiltration, an adequate supply of air for combustion and ventilation is provided through infiltration. The fireplace should not be used in a small room where less than 5.7m³ (200ft³) of air space is provided for each 1000 Btu per hour of fireplace (considering the maximum burner adjustment). Do not use the fireplace in a bathroom, a room where sleeping accommodation is provided or any other small room.
- **CAUTION:** Item gets hot while in operation. Do not touch the fireplace while burning. Please allow at least 15 minutes to cool down before touching the product after flame is extinguished.
- **CAUTION:** Risk of burns. Do not operate the ethanol fireplace without the guard or grille or screen completely attached.
- Never pour fuel into an open flame or into the burner reservoir unless it has cooled down for at least 15 minutes after used.
- Do not place any flammable material within 1 meter/ 40 inches around the fireplace. A safety distance of at least 2 meters/80 inches should be kept from any window or curtain. Do not burn under over hanging items.
- **CAUTION:** Do not smoke while handling the fuel.
- Avoid airflow in the room where the fireplace is operated.
- **WARNING:**
 - i Risk of Explosion
 - a.Never use any fuel other than Moda Flame Premium Ethanol Fireplace Fuel.
Never use gasoline.

- b. Never use the appliance in areas where flammable vapors or gas may be present.
- c. Never store or transport the fuel in other than a metal or plastic container that is acceptable for use with the specified fuel in accordance with the Consumer Chemicals and Containers Regulations 2001 and is the original container for the specified fuel.
- d. Never store fuel in the living space or in the same location as the appliance.
 - ii .Due to high surface temperatures, keep children, clothing, and furniture away.
 - iii .Do not use the appliance to heat or boil water or use as a cooking appliance.
 - iv .Do not use in a room with Oxygen tanks in use. Do not use the appliance in a bathroom, a room where sleeping accommodation is provided or any other small room.
 - v .Do not operate without installing the protective screens, grilles, or guards.
 - vi .THIS APPLIANCE HAS NOT BEEN TESTED FOR USE WITH DOORS. TO REDUCE THE RISK OF FIRE OR INJURY, DO NOT INSTALL DOORS.
 - vii. Risk of Indoor Air Pollution - Use ethanol fireplace only in well-ventilated areas and with doors of adjacent room open. Do not obstruct air flow to the fuel holder box by piling logs over the fuel holding box, but only around it and do not obstruct the fuel holder box in any other way or with any other material. People with breathing problems should consult a physician before using the ethanol fireplace.

WARNING: THIS APPLIANCE HAS NOT BEEN TESTED WITH AN UNVENTED GAS LOG SET. TO REDUCE RISK OF FIRE OR INJURY, DO NOT INSTALL AN UNVENTED GAS LOG SET INTO THIS APPLIANCE."

CLEANING INSTRUCTION:

- After each use, the burner surfaces must be cleaned regularly. Use warm water and washing-up liquid. If the burner is not cleaned after each use, bad odors can occur.

- Check the sliding cover of burner for warp or damage before each use.
- After several uses, the stainless steel burner may discolor depending on the type of ethanol fuel you use. Rub the burner with a sponge to restore the original shine of the stainless steel. Marks can be best removed with a soft cloth and a mixture of lukewarm water and a small amount of cleaning liquid (ph-neutral). We recommend cleaning the stainless steel items regularly to prevent contamination.
- **CAUTION:** Never use chemical, steel-wool or scrubbing sponges. These can scratch the surface. The manufacturer cannot be held responsible for any damages resulting out of false use and/ or cleaning of the products.

Warranty:

Our fireplaces are guaranteed 1 year, parts and labor. Warranty begins on the date of purchase.

Warranty will be applied on presentation of a dated cash receipt and is strictly limited to factory service repair of the piece or pieces that are found to be defective. Installations costs will not be reimbursed in any case as damages for any reason whatsoever. Manufacturer will not be held responsible for any incidental or consequential defects, on goods or individuals.

The warranty will not be applied if devices have been subjected to abnormal use or if used under other conditions of use than the ones they were intended for.

The warranty will not apply in case of deterioration or accident due to negligence, damages caused by failing to maintain and service the device or resulting from an alteration of material.

Moda Flame

Tel: 347-410-8000

Email: INFO@MODAFLAME.COM

Website: www.MODAFLAME.com.