



**Moda Flame Devant Ventless Bio Ethanol Wall Mounted Fireplace**

Model No.: GF101675



## **Assembly & Installation**

### **WALL MOUNTED FIREPLACE ASSEMBLY:**

**For safety purposes, we recommend a professional contractor to mount all wall-mounted fireplaces.**

Two or more people are recommended to install a wall-mounted fireplace. Wall mounted fireplaces are to be mounted only on a solid wall that can sustain the weight of the fireplace. The mounting wall is to be constructed from non-flammable materials.

Wall Mounted Fireplace Assembly Step:

1. Remove all parts from shipping carton (do not discard shipping material until the item is fully assembled).
2. Locate the mounting bracket(s).
3. - Use a stud finder to locate the studs in your wall. Place the top bracket to make your marks after the mount is leveled and secure the mounting bracket to the studs.
  - If studs could not be located and you have a hollow wall, we always recommend using butterfly anchors (maybe purchased from any hardware store).
  - If your wall is not hollow, use the drywall anchors to mount the brackets.
4. Measure the distance between the top holes and the bottom holes in back of the fireplace.
5. Mount the bottom brackets based on the distance between the top and bottom holes in the back of the fireplace.
6. Drill a hole into the wall for the bottom bracket then put the drywall anchor into the hole.
7. Place bottom bracket over the anchor in the wall and screw through the bracket into the anchors.
8. Have 1 person hold the fireplace over the mounted brackets while the 2nd person inserts the screws and washers through the holes into the brackets.
9. Make sure the wall fireplace is mounted with the topside up.
10. Make sure the fireplace is securely mounted to the wall before adding fuel.

### **Starting Up:**

- Fill the reservoir containers (ethanol burner) with **Moda Flame ethanol fireplace fuel only**, up to the maximum marking (2/3<sup>rd</sup>) of each burner. Then light with an extended candle lighter (not included with fireplaces or fuel).
- The flame will light slowly at first, please allow 15 minutes to reach the optimum temperature and flame height.
- Spilled ethanol fireplace fuel must be wiped with an absorbent tissue prior to lighting

**CAUTION:** Spilled fuel may lead to matt stains on parquet flooring.

**ATTENTION:** Moda Flame ethanol fireplace fuel should be stored at room temperature to facilitate its ignition.

### **CAUTION:**

- Fuel must be kept in safe distance (min. 40 inch) of the fireplace.
- Do not place fuel in front or around the fireplace at any point.
- Always keep unused fuel sealed.
- In case the flame does not ignite, please repeat the ignition process until the flame burns steadily.
- Never light the fireplace with a standard lighter or match.

**Refill:**

- **CAUTION:** Never pour fuel into the burning flame!
- **CAUTION:** Allow the burner to cool down for at least 15 minutes before refilling. To refill, follow instruction below.

**Extinguish:**

**CAUTION:** Never extinguish the flame with water or other liquid products!

- Let the ethanol fireplace fuel burn out completely if possible. This prevents left over fuel in the ethanol burner reservoir to evaporate, as it is an alcohol-based product.
- If you wish to extinguish the flame before the fuel has completely burned out, please use the damper tool or fire killer to fully close the opening of the burner and wait until the flame is extinguished. **Wait approximately 30 minutes until the burner has reached room temperature.** Only then dispose of the remaining fuel.
- In case the flame is not extinguished immediately. Please close the cover and allow approximately 15 minutes to allow the flame to cool down. Repeat the above instruction until the flame is fully extinguished.

**Maintenance/Care Instructions:**

- The fireplace and reservoirs must be cleaned regularly. Use warm water and soap.
- Burn marks can be best removed with a soft cloth, lukewarm water and soap. We recommend cleaning stainless steel items regularly to prevent contamination.
- Do not pour water into the opening of the burner insert at any point, as the ceramic wool inside will absorb the liquid.
- Never use chemicals, steel wool or scrubbing sponges. Moda Flame will not be held responsible for physical damage or and/or misuse of the fireplace.

**Safety instruction:**

- Ethanol fireplaces use oxygen from the room where it is operated. The rooms should be well ventilated with enough oxygen and fresh air supplied (i.e. slightly open windows).
- The room where the fireplace is operated should not be smaller than 225 sq. ft. with an average ceiling height of 8 ft.
- It is not recommended to use more than one fireplace at a time in one room.

**Never leave an open fire unattended at any time!**

**CAUTION:**

- Do not touch the fireplace while burning. Allow at least 30 minutes to cool down completely.
- Never pour fuel on to an open flame or into the burner reservoir unless it has cooled down for at least 15 minutes after use.
- The fireplace is not suitable for heating or cooking purposes.
- Keep fuel containers closed tightly.
- Keep fuel away from children and animals.
- The burning reservoir and fuel must not be exposed to direct heat such as direct sunshine or heating products.

- If inserting into an already existing fireplace, all gas lines must be closed and removed by a certified plumber.

#### **CAUTION:**

- Do not smoke while handling the fuel.
- Avoid drafts in the room where the fireplace is operated.
- Drafts cause movements in the proximity of the fireplace as the flame will be fanned into different directions.
- Fill burner with caution and attention at all times.
- Liquid fuel next to the burner can cause unexpected flames. Do not refill burner again until they have completely cooled down.
- Do not refill while burning as major injury might occur. Always follow the instructions on the Moda Flame fireplace fuel bottle.
- Due to the heat of the fireplace children and animals should stay away during and 12 hours after use of the fireplace.
- Do not store any flammable goods close to the fireplace.
- **Remember to fill ethanol fireplace fuel to a maximum of 2/3 of each burner**

#### **Burner:**

Each fireplace includes at least one burner and flame controller (damper tool) handle. Each burner varies in capacity, flame size and duration. If the burner is adjustable, you may change the height and duration of the flame with the stainless steel slider. Precautions should be taken when moving the burner, especially if there are flammable liquids inside. The burner needs to be inspected for leaks prior to lighting.

## **ETHANOL BURNER WARNING**

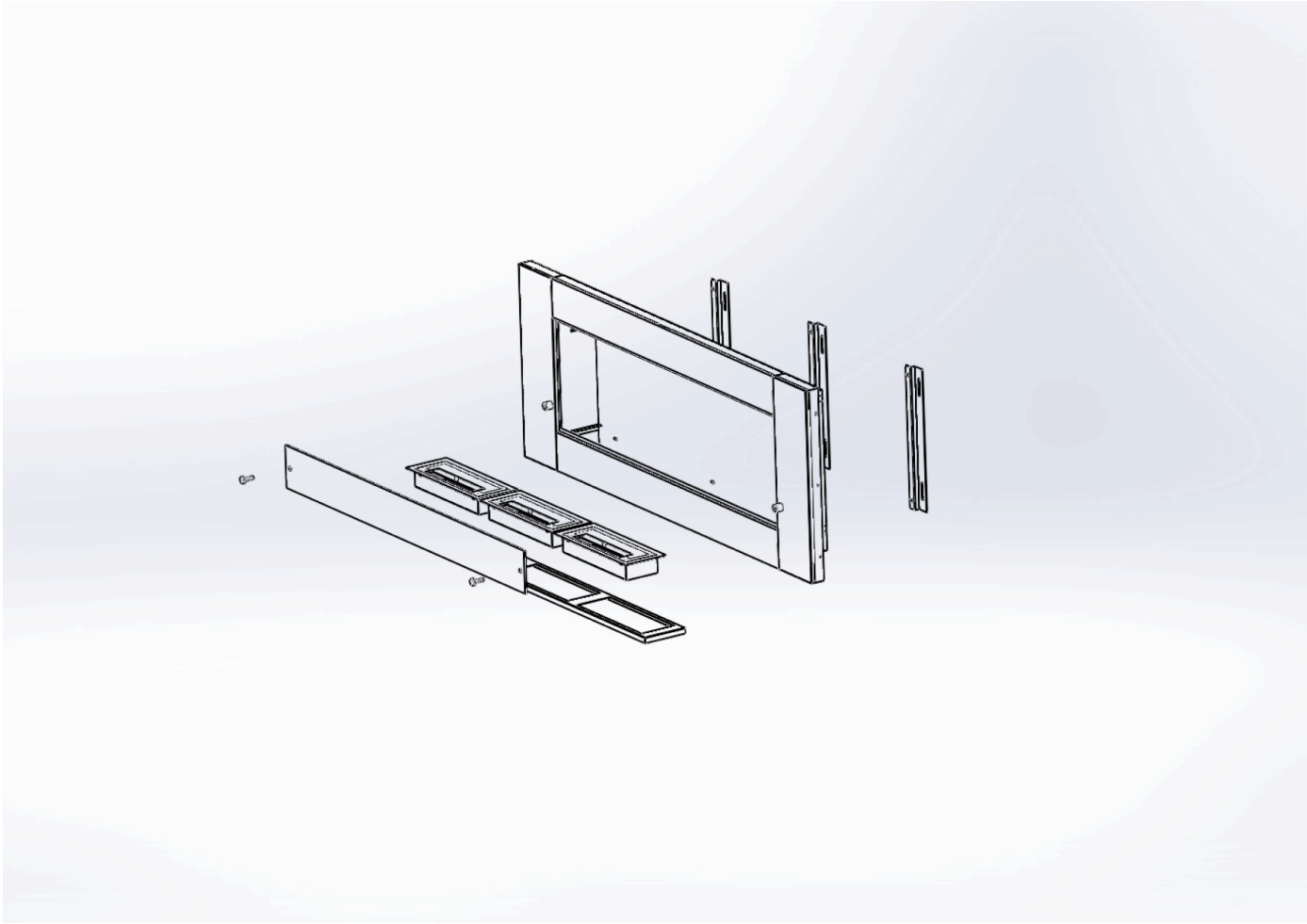
- Hot surface do not touch!
- Do not pour fuel onto an open flame. Allow 15 minutes to cool prior to refilling
- Use the flame handle supplied to adjust /close the burner flame.
- Ethanol Fireplace fuel next to a burner or fireplace box can cause un-expected flames. Do not refill burner until it has completely cooled for least 15 minutes.
- Do not store any flammable products close to the burner and/or fireplace.
- Do not smoke while handling the fuel.
- Please remember to fill bio ethanol fuel no more than the maximum capacity line (2/3) of each burner.
- **Do not use gasoline or any other fuels other than Moda Flame bio ethanol fireplace fuel.**
- Operate burner/fireplace with a window open to allow sufficient ventilation.
- We recommend not leaving unburned fuel in the burner.
- Do not leave children unattended.

#### **Warranty:**

All Moda Flame fireplaces include a one-year manufacturer warranty against defects from the beginning date of purchase. In case of a warranty claim, contact Moda Flame ([www.ModaFlame.com](http://www.ModaFlame.com)).

Installation costs and shipping fees cannot, under any circumstance, be reimbursed for damages. Moda Flame will not be held responsible for direct or indirect defect consequences, either towards a person or property.

**Assembly Diagram:**





## Safety Information

Safety should be priority when operating a real fire fireplace! Be sure to read this safety warning prior to operating any Moda Flame™ product.

MODA FUEL ETHANOL FIREPLACE FUEL IS FLAMMABLE AND DANGEROUS.

### WARNING

- Moda Flame™ Ethanol Fuel and fireplace should NEVER be operated or handled by minors. Keep children at a safe distance and never allow any pouring of fuel, lighting or use of the fireplace or fuel at any point.
- Keep children and pets at safe distance of fireplace at all times.
- To insure safe use, you must carefully read and adhere to ALL of the manufacturer's instructions. These instructions should be kept for reference for as long as you own the fireplace and should be provided to anyone planning to use a Moda Flame™ ethanol fireplace.
- Opening fuel next to open fire may result in flash fire. **DO NOT OPEN FUEL WHILE FIREPLACE IS IN OPERATION.**
- NEVER should the reservoir be filled more than  $\frac{3}{4}$  full.
- Allow 15-20 minutes for fireplace to be cooled prior to refilling or touching with bare hands/skin.
- Once fireplace is filled, replace top and move to a safe area away from fireplace. Fuel should be stored at least 4 ft. (1.3 meters) away from fireplace.
- Do not at any point touch or feel fireplace during or after operation.
- Spilled fuel should be cleaned with dry paper towel or rag, wait 15 minutes for remains to evaporate prior to lighting
- Only use an extended lighter or long match to ignite. Never attempt to ignite with any other device.

- Ethanol fuel should not be stored anywhere at beam of direct sunlight. Fuel should be stored in dry, cool and safe distance away from fireplace. Always reconfirm bottles are tightly sealed and keep away from reach of children.
- When fireplace is just lit, flame maybe invisible. Please allow 15 minutes for flame to excel to full capacity. Similarly effect of invisible flame is when fuel runs out. Do not refill fireplace until firebox is closed with damper/snuffer tool. Wait 15 minutes for cooling.
- NEVER LEAVE A BURNING FIREPLACE UNATTENDED.
- Never move the fireplace while in operation (burning) or is still hot.
- Never place any objects covering opening of firebox (flammable or non-flammable).
- Pour fuel prior to placing accessories. After fuel is poured, you may place accessories and then light the fireplace. DO NOT place accessories if fireplace is in operation (lit).
- **KEEP FLAMMABLE OBJECTS AT LEAST 4 FT AWAY FROM FIREPLACE WHILE LIT OR HOT.**
- Use only ethanol fuel made specifically for fireplaces. See [www.ModaFlame.com](http://www.ModaFlame.com) for recommended fuels. Burning common alcohol found in drug stores and home improvement stores is EXTREMELY DANGEROUS. Their emissions are toxic and not safe to inhale indoors or even outdoors.
- **ALWAYS READ FUEL SAFETY INSTRUCTIONS provided by fuel manufacturer.**

#### **First Aid Measures**

- Immediately flush affected area with plenty of cool water. Flush eyes for at least 15 minutes. Seek immediate medical attention.
- Rinse exposed area well with water and wash with soap. If irritation persists, consult a physician or dermatologist.
- If victim is conscious and able to swallow, have victim drink water or milk to dilute. Never give anything by mouth if victim is unconscious or convulsing. Do not induce vomiting. Call a physician or poison control center immediately.
- 

#### **Moda Flame**

**Tel: 347-410-8000**

**Email: [INFO@MODAFLAME.COM](mailto:INFO@MODAFLAME.COM)**

**Website: [www.MODAFLAME.com](http://www.MODAFLAME.com)**